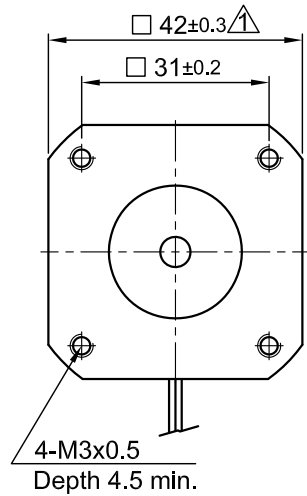
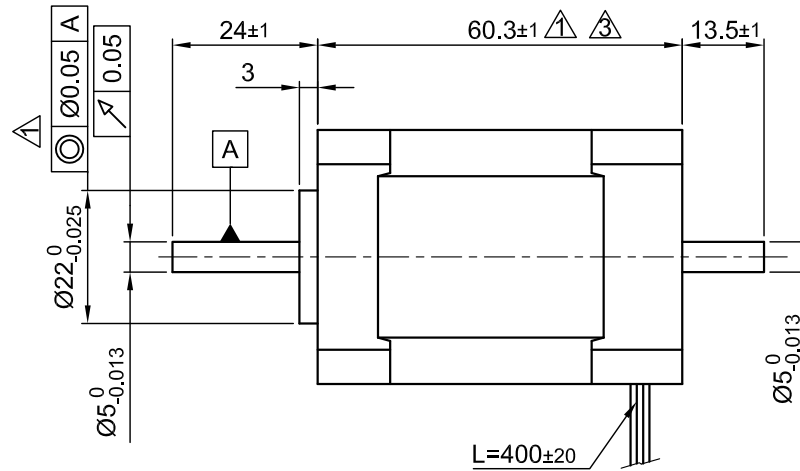


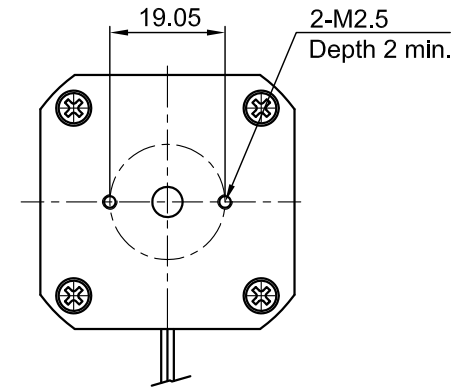
Front view and mounting



Side view

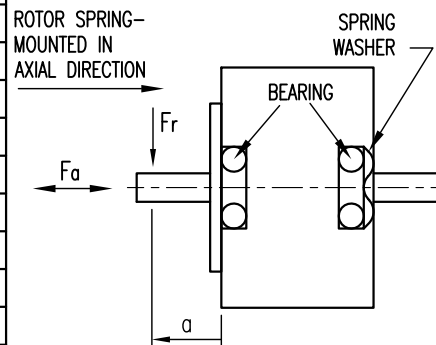


Rear view



SPECIFICATION	CONNECTION	DELTA
NO. OF POL./PHASE		8/3
VOLTAGE RATED (VDC)		48
CURRENT NO LOAD/RATED/PEAK (AMP)		0.5/2.12/5.77
RESISTANCE/PHASE TO PHASE (Ohms) @25°C		1.3±15%
INDUCTANCE/PHASE TO PHASE (mH) @1KHz		2.6±20%
TORQUE RATED/PEAK (Nm) [lb-in]		0.11/0.33 [0.974/2.921]
TORQUE CONSTANT (Nm/A)		0.052 Δ
POWER RATED (W)		69 Δ
SPEED RATED/NO LOAD (RPM) Δ		6000/7800
ROTOR INERTIA (Kg-m ²) [lb-in ²]		4.8x10 ⁻⁶ [0.0164]
WEIGHT (Kg) [lb]		0.45 [0.992]
TEMPERATURE RISE: MAX.80°C		
AMBIENT TEMPERATURE -10°~ 50°C [14°F ~ 122°F]		
INSULATION RESISTANCE 100 MOhm (UNDER NORMAL TEMPERATURE AND HUMIDITY)		
INSULATION CLASS B 130° [266°F]		
DIELECTRIC STRENGTH 500VAC FOR 1 MIN. (BETWEEN THE MOTOR COILS AND THE MOTOR CASE)		
AMBIENT HUMIDITY MAX. 85% (NO CONDENSATION)		

PERMISSIBLE RADIAL+AXIAL FORCE



AXIAL-FORCE Fa (N)	Fr=10	
DISTANCE a (mm)	20	
RADIAL-FORCE Fr (N)	28	
	AXIAL	RADIAL
SHAFT PLAY (mm)	0.08	0.02
AT LOAD MAX: (N)	4.5	4.5

		WIRING DIAGRAM									
		COLOR	FUNCTION	Dir. \longleftrightarrow				LEAD GAUGE			
MOTOR 8 POL.	YEL	U	X	HI	HI	X	LOW	LOW	Δ UL1430 AWG20		
	RED	V	HI	X	LOW	LOW	X	HI			
	BLK	W	LOW	LOW	X	HI	HI	X			
HALL 24 IMPL. REV.	RED	+5V								Δ UL1430 AWG26	
	BLU	H1	0	0	0	1	1	1			
	WHT	H2	0	1	1	1	0	0			
	GRN	H3	1	1	0	0	0	1			
	BLK	GND									

DELTA CONNECTING PHASE A YEL

5	CHANGE POWER RATED	16.06.15	A.S.
4	UPDT. DATA	24.10.14	J.D.
3	NEW LENGTH	07.03.14	J.D.
REV	DESCRIPTION	DATE	DRN



DB42M01

SCALE FREE	APVD	S.Ha.	19.06.07
X ±0.5	CHKD		
1PL ±0.2	DRN	J.W.	10.11.06
2PL ±0.1	SIGNATURE		
ANGLE ±30°	DATE		

BRUSHLESS DC MOTOR

DWG.NO

DB42M01